

# 48" PROFESSIONAL GRILLS

48" Grill with optional Stainless Steel Grill Cart (as shown) | BGB48-BQAR



48" Grill with Integrated Sealed Side Burners and optional Stainless Steel Grill Cart (as shown) | BGB48-BQR



**DCS OUTDOOR GRILLS ARE SIMPLY THE MOST ADVANCED GRILLING SYSTEM AVAILABLE. AT DCS WE COMBINE THE LATEST GRILLING TECHNOLOGY AND INNOVATION TO DELIVER THE ULTIMATE IN OUTDOOR COOKING PERFORMANCE AND CONTROL. EVERY DCS GRILL IS HANDCRAFTED AND CONSTRUCTED ENTIRELY OF HEAVY GAUGE TYPE 304 STAINLESS STEEL.**

**SMART BEAM GRILL LIGHT™:** DCS perfects grilling at night with its revolutionary Integrated Grill Surface Lighting System. The patented design uses a 50-watt halogen light integrated into the rotisserie motor to illuminate the entire grilling surface. It's "smart" because it is outside of the grill lid and won't get charred or greasy.

**GREASE MANAGEMENT SYSTEM™:** This patented system reduces flare-ups by effectively channeling oils and grease away from the flame. At DCS, our grilling grates have integrated runners which route oil and grease away from the food as it cooks. Grease and oil are channeled away from the flame and into a removable stainless steel drip-tray.

**BATTERY IGNITION:** 9-volt battery ignition for safe and efficient grill lighting every time.

**DOUBLE-SIDED CAST STAINLESS GRILLING GRATES:** Meat, fish and vegetables require different cooking surfaces. At DCS, our grilling grates are double-sided. One side with a gentle radius for support and handling, the other side is trough shaped for perfect sear lines on meat and chicken.

**CERAMIC RADIANTS:** Provide intense and even radiant heat across the entire grilling surface. The radiant heat that is delivered is proven to cook faster and more efficiently.

**STAINLESS STEEL BURNERS:** Precision ported, U-shaped stainless steel burners accurately deliver up to 25,000 Btu's each.

**INFRARED ROTISSERIE BURNER:** Dedicated ceramic rotisserie burner delivers even and intense searing heat.

**ROTISSERIE MOTOR:** This heavy-duty rotisserie motor with stainless steel rod and cast stainless steel forks is able to accommodate up to 50 lbs.

**SMOKER TRAY:** Add your favorite wood chips to the Smoker Tray to give meat a natural smoked flavor. Features a dedicated 3,500 Btu's burner.

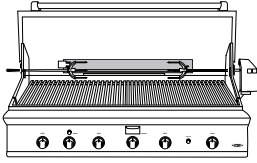
**REMOVABLE WARMING RACK:** Perfect for keeping your food warm.

**Optional Stainless Steel Grill Cart:** Equipped with 2 stainless steel storage/accessory drawers and an easy access slide-out LP tank tray. A conveniently located condiment shelf is designed into the door. Two fold down side shelves with removable stainless steel serving trays that are perfect for entertaining. Equipped with two locking swivel casters and two heavy-duty 8" wheels with stainless steel hubcaps.

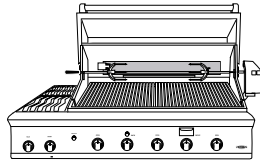


**PERFECT HEAT.**

## Configuration:



BGB48-BQAR



BGB48-BQR

MODEL NUMBER	BGB48-BQAR	BGB48-BQR
TOTAL GRILLING AREA	861 sq. inches	608 sq. inches
GRILL BURNERS	4 @ 25,000 Btu/hr	3 @ 25,000 Btu/hr
INTERGRATED SIDE BURNERS		2 @ 17,000 Btu/hr
INTERGRATED ROTISSERIE BURNER	18,000 Btu/hr	14,000 Btu/hr
SMOKER BURNER	3,500 Btu/hr	3,500 Btu/hr
DOUBLE SIDED GRILL GRATES	Stainless Steel	Stainless Steel
GREASE MANAGEMENT SYSTEM™	-	-
SHIPPING WEIGHT (GRILL HEAD)	365 lbs.	345 lbs.
SHIPPING WEIGHT (OPTIONAL CART)	130 lbs.	130 lbs.

NOTE: Rotisserie and grill burners not recommended for simultaneous use.

### Power Requirements:

120V 60Hz for models with Rotisserie Motor.

### Ordering Data:

Please specify gas type (natural or propane) when ordering.

### Gas Requirements:

#### NATURAL

- ▶ 1/2" NPT male with a 3/8" flare adaptor
- ▶ Operational Pressure: 4.0" W.C.

#### PROPANE

- ▶ 1/2" NPT male with a 3/8" flare adaptor
- ▶ LP hose with a quick disconnect & fitting are included
- ▶ Operational Pressure: 11" W.C.

### Island Ventilation Requirements:

It is recommended that adequate ventilation holes are provided in the base of an enclosure in the event of a gas leak.

### Grill Placement:

DO NOT build grill under overhead unprotected combustible construction. Use only in well ventilated areas. These units are for Outdoor use only.

### Conversion Kits:

NG to LP and LP to NG conversion kits are available from your dealer.

### Recommended Accessories

- ▶ Stainless Steel Grill Cart
- ▶ Single or Double side-burners for built-in application
- ▶ Stainless Steel Access Doors for built-in application
- ▶ Insulated Jacket for built-in application
- ▶ DCS exclusive 5-piece stainless steel Grilling Tool Set
- ▶ Corian® Chopping Board that fits in side-shelf
- ▶ Maple Chopping Board that fits in side-shelf
- ▶ Drop-on Griddle Plate
- ▶ Vinyl Grill Cover

### Warranty

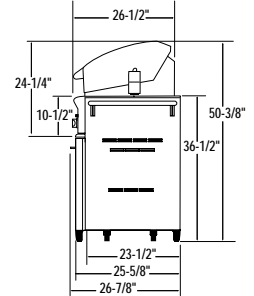
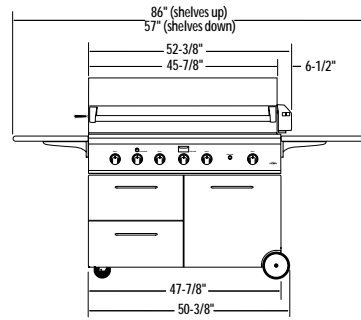
All Grills are covered by a one (1) year comprehensive parts and labor warranty. In addition, a five (5) year limited parts warranty covers specific parts that vary by model. Please see the product Use and Care Manual for the specified parts covered under this warranty. A lifetime warranty covers all stainless steel components against manufacture related defects. This excludes discoloration or surface corrosion resulting from improper use and care. Please refer to product use and care manual for proper care and maintenance.

Because of continuing product improvement these specifications are subject to change without notice.

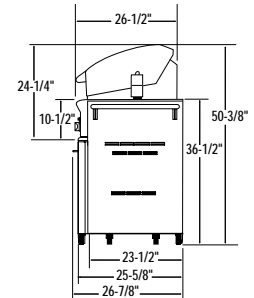
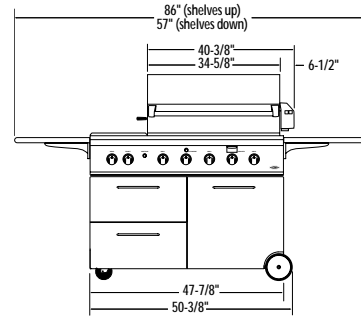


## Product Dimensions:

BGB48-BQAR



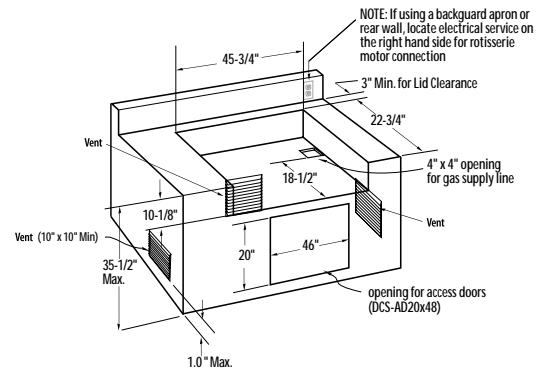
BGB48-BQR



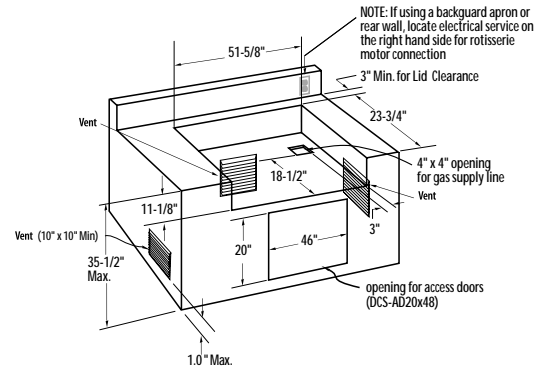
NOTE: Shown on optional grill cart.

## Island Preparation:

### Standard cut-out dimensions for non-combustible enclosure:



### Insulated jacket cut-out dimensions for combustible enclosure:



PERFECT HEAT.

For more information on our complete line of outdoor products or to find out more about our residential kitchen appliances, please call 1.800.433.8466 or visit [www.dcsappliances.com](http://www.dcsappliances.com)

©2004 DCS 5800 Skylab Road, Huntington Beach, CA 92647

P/N 17794 REV. A 03/04