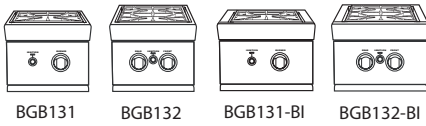


### Possible Configurations:



MODEL NUMBER	BGB131	BGB132	BGB131-BI	BGB132-BI
30" CART MOUNT	✓	✓		
BUILT-IN			✓	✓
SIDE BURNER(S) (BTU/HR)	1@17,000	2@17,000	1@17,000	2@17,000

### Gas Requirements:

#### NATURAL

- ▶ 1/2" NPT male with a 3/8" flare adaptor
- ▶ Operational Pressure: 4.0" W.C.
- ▶ Supply Pressure: 5" to 14" W.C.

#### PROPANE

- ▶ 1/2" NPT male with a 3/8" flare adaptor
- ▶ Operational Pressure: 10" W.C.
- ▶ Supply Pressure: 11" to 14" W.C.

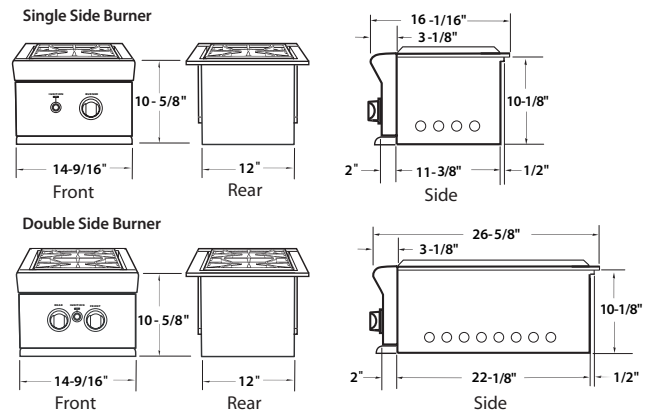
### Ordering Data:

Please specify gas type (natural or propane) when ordering.

### Warranty

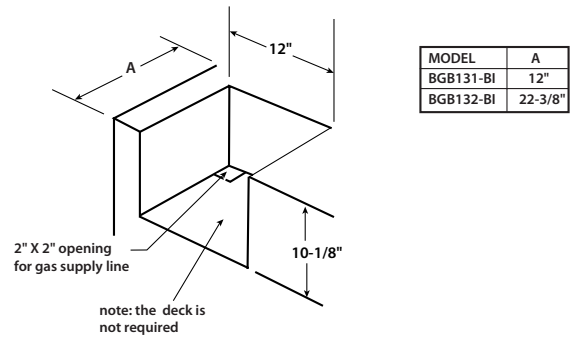
All Side Burners are covered by a one (1) year comprehensive parts and labor warranty. In addition, a five (5) year limited parts warranty covers specific parts that vary by model. Please see the product Use and Care Manual for the specified parts covered under this warranty. Please refer to product use and care manual for proper care and maintenance.

### Product Dimensions (Built-in Models):

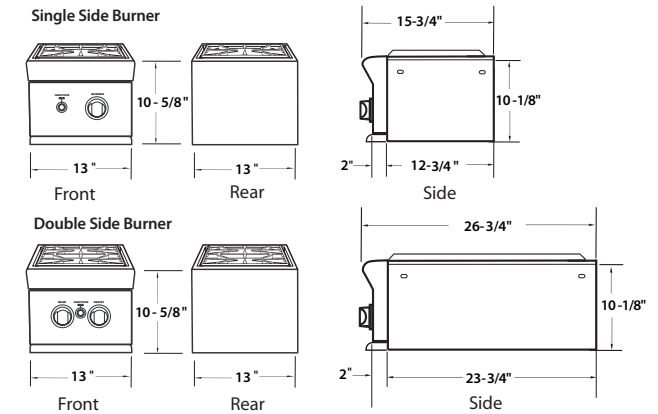


### Island Preparation:

#### Standard construction cut out requirements



### Product Dimensions (Cart Mount Models):



Note: Cart Mount Side Burners are not designed for built-in application.



Quality provided by Fisher & Paykel Appliances Inc.

For more information on our complete line of outdoor products or to find out more about our residential kitchen appliances, please call 1.800.433.8466 or visit [www.dcsappliances.com](http://www.dcsappliances.com)

©2006 Fisher & Paykel Appliances, Inc.  
5900 Skylab Road, Huntington Beach, CA 92647

BGB SIDE BURNER 06/06

Because of continuing product improvement these specifications are subject to change without notice.

